

OPTOMISTIC PRODUCTS LIGHTPROBE™ MXULP ADAPTER

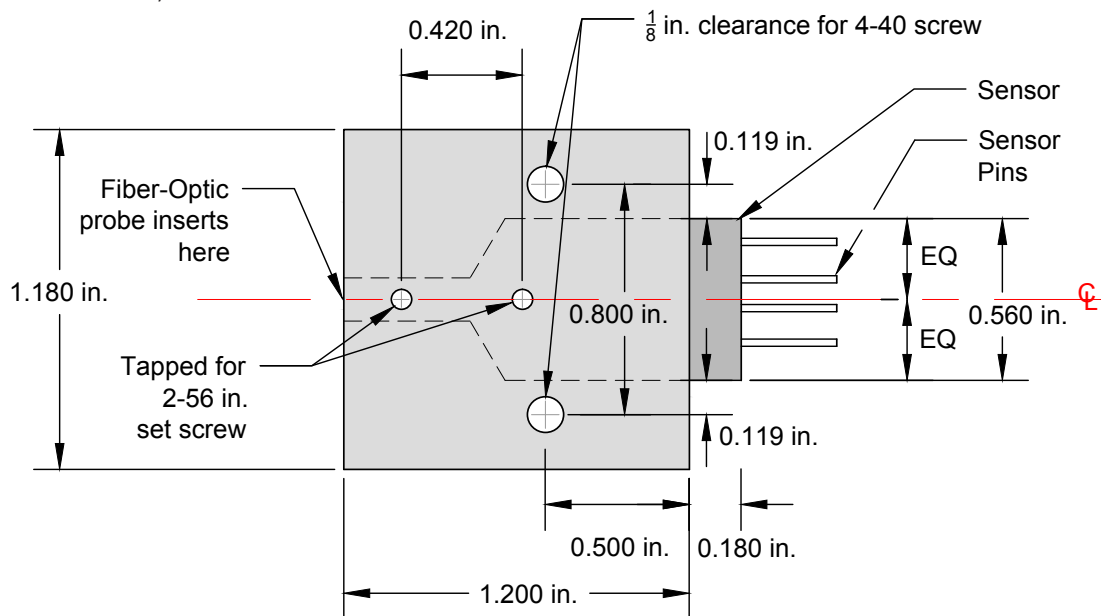
PHOTO:

Below is an example of a Universal LightProbe contained within a Maxi Adaptor, (part number MXULP), with the fiber-optic probe part number XXX-27-SSL-WA, protruding from the front of the sensor by 0.173 inches (3.4mm). Any of the full line fiber-optic probes may be paired with the unit.



DIMENSIONS:

The Maxi Adaptor is 1.2 inches long x 1.18 inches wide x 0.625 inches deep, with specific dimensions shown below. Note that the round body of the Universal LightProbe sensor is primarily contained within the Maxi Adaptor, and extends beyond the sensor by 0.18 inches, as shown in the drawing (See AN 13 for sensor dimensions)



PO Box 751 • South Freeport, ME 04078 USA | Phone (207) 865-9181 • Fax (207) 510-8039

www.optomisticproducts.com

info@optomisticproducts.com

The information in this data sheet is intended to be a general product description. Optomistic Products reserves the right to make changes in specifications and characteristics at any time without notice. Unless specified otherwise, all dimensional values are nominal. ©2014 Optomistic Products. All rights reserved.