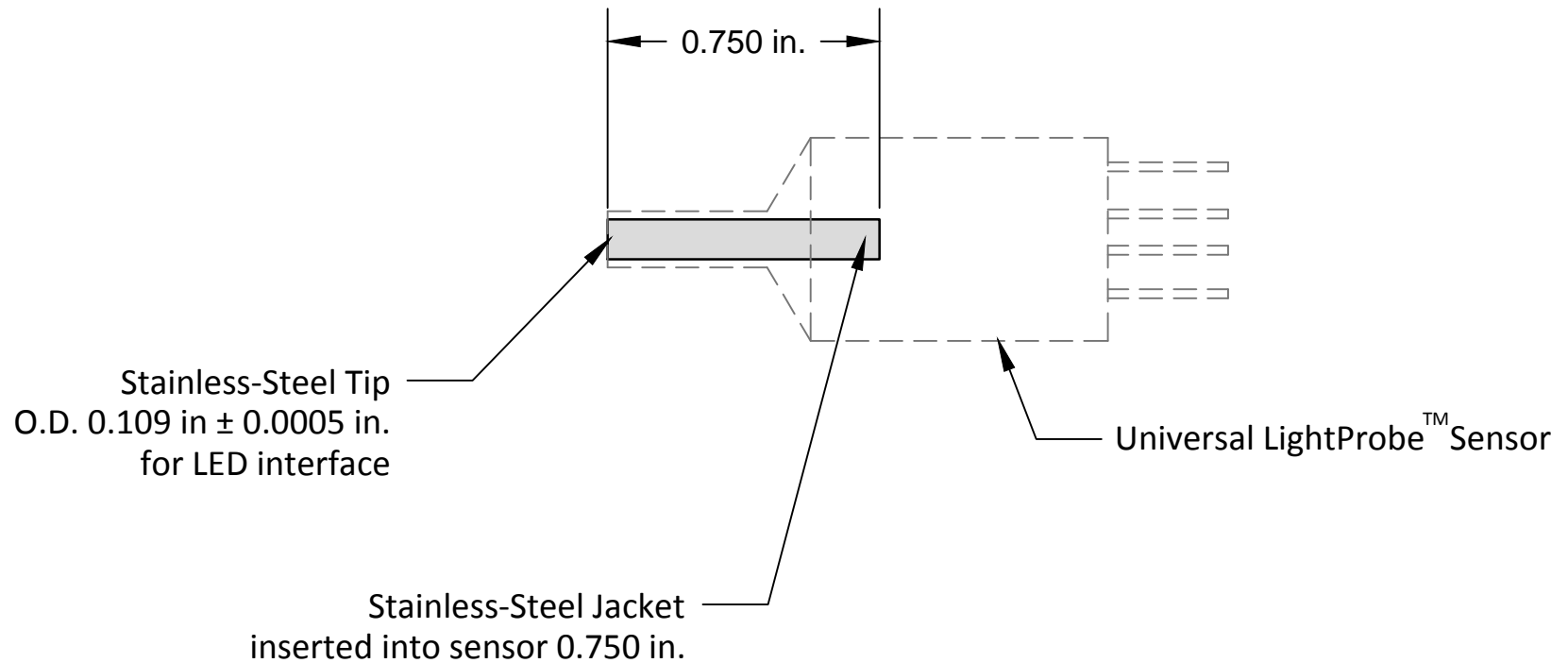




Universal LightProbe™ FIBER - OPTIC PROBE

Part Number: XXX-27-SSL-WA



Scale 2:1

PROPRIETARY DATA

NOTES:

1. Tolerances - Length: Stainless Steel: \pm 0.010 in. (0.25mm)

This drawing contains information and data which is proprietary to Optomistic Products and shall not be reproduced/copied without the prior written consent of Optomistic Products