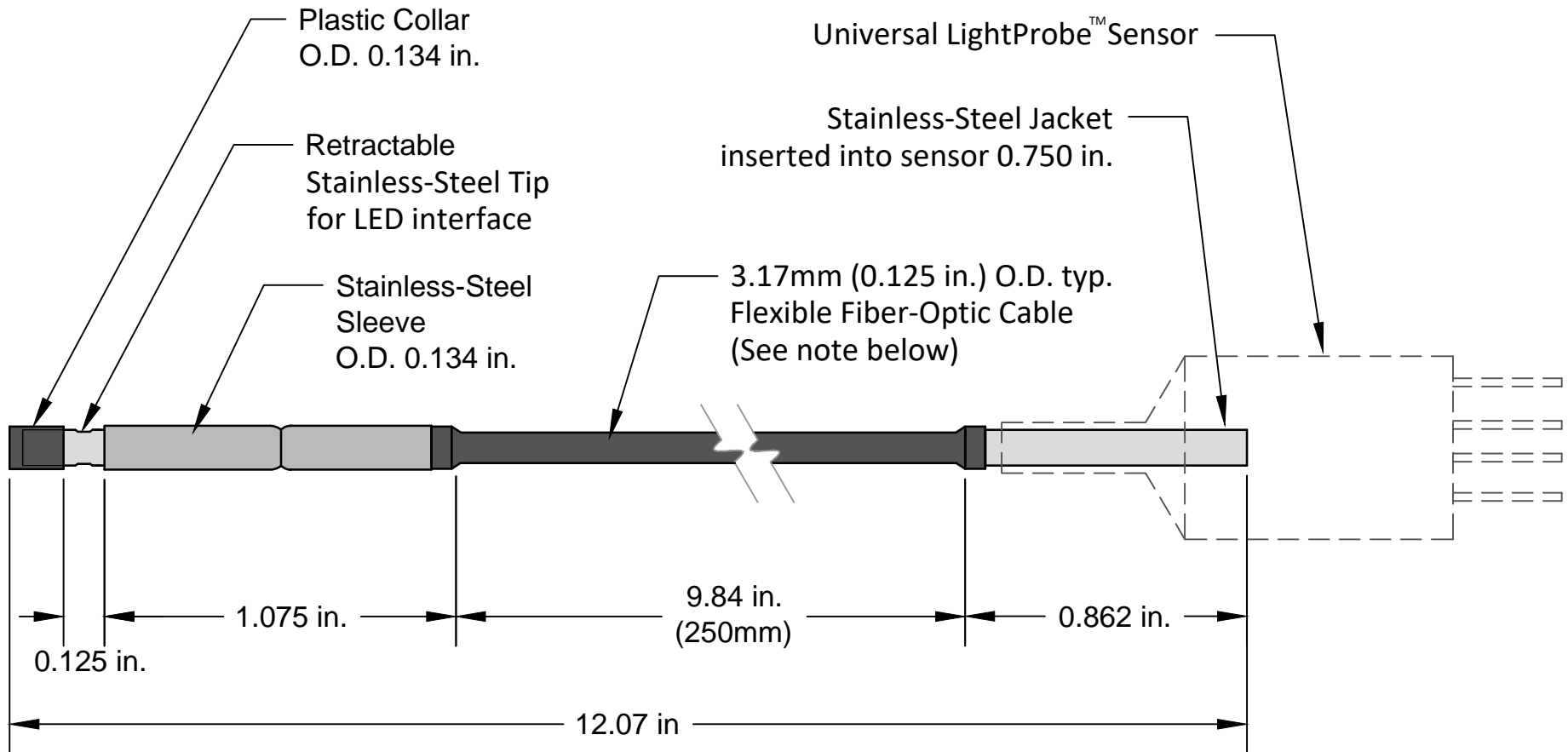




Universal LightProbe™ FIBER - OPTIC PROBE

Part number: 250SF-34-SL-WA-CT



NOTES:

1. Fiber-optic cable bend radius not to exceed 2"
2. Fiber-optic probes should be installed with the stainless-steel sleeve retracted halfway ($\frac{1}{16}$ ") when contacting the LED.
3. Tolerances - Length: Stainless Steel: ± 0.010 in. (0.25mm)

Scale 2:1

PROPRIETARY DATA

This drawing contains information and data which is proprietary to Optomistic Products and shall not be reproduced/copied without the prior written consent of Optomistic Products