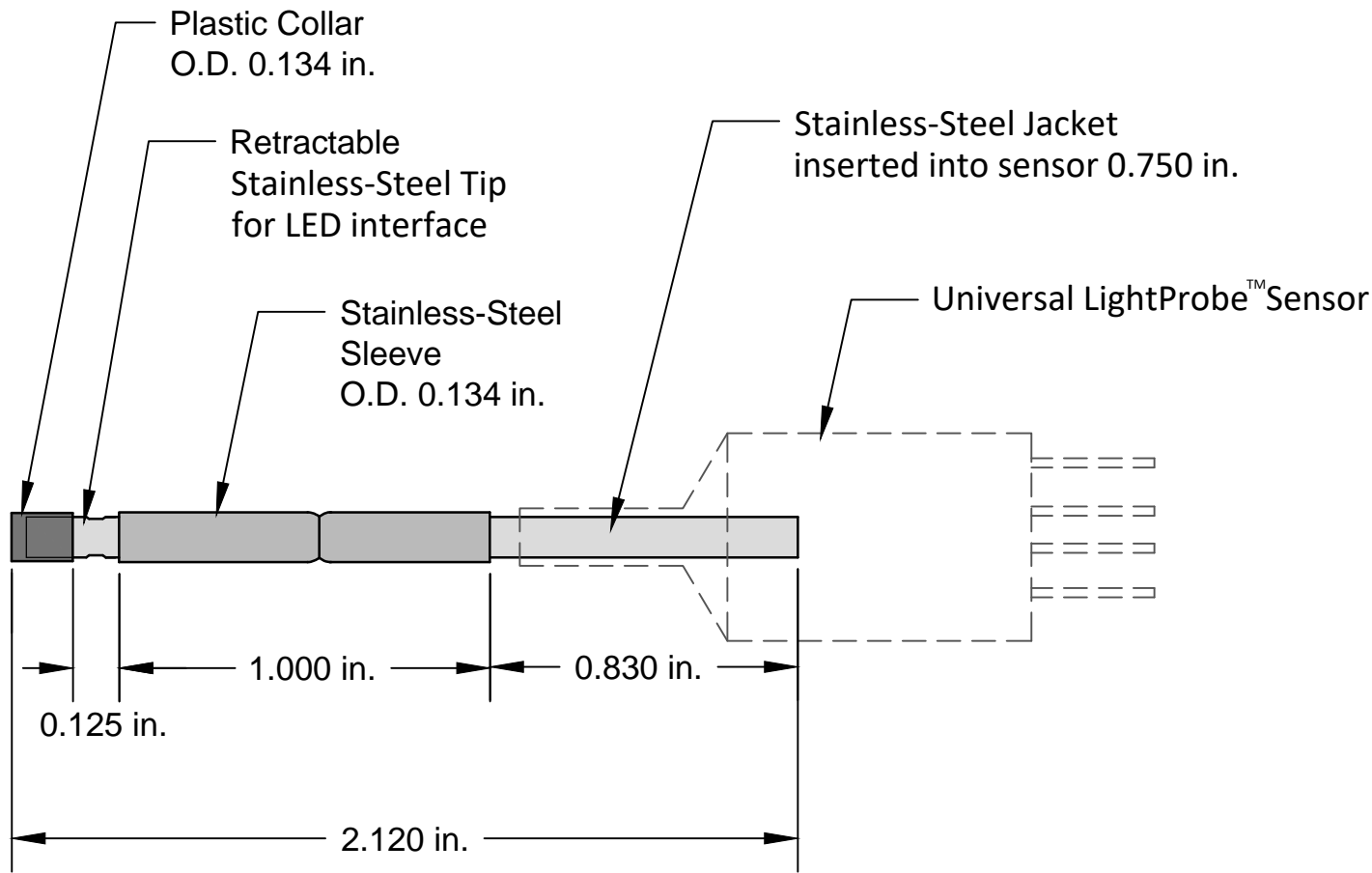




# Universal LightProbe™ FIBER - OPTIC PROBE

Part number: XXX-34-SL-WA-CT



**NOTES:**

- 1. Fiber-optic probes should be installed with the stainless-steel sleeve retracted halfway ( $\frac{1}{16}$ " ) when contacting the LED.
- 2. Tolerances - Length: Stainless Steel:  $\pm 0.010$  in. (0.25mm)

**Scale 2:1**

PROPRIETARY DATA

This drawing contains information and data which is proprietary to Optomistic Products and shall not be reproduced/copied without the prior written consent of Optomistic Products