

## UNIVERSAL LIGHTPROBE™ S2 UNICOLOR DIGITAL SENSOR

Universal LightProbe S2 Unicolor Digital Sensors are designed for the simple ON / OFF test and color check of a single color LED, with a one-bit digital output, quickly determining PASS/FAIL status without further processing by the ATE.



**Part Number: ULP-S2 SCC**

### CHARACTERISTICS

- Typical response time: <10mS capture time; <65mS overall response time
- Signal Output Loads: 20 mA max. Non-inductive.
- Further details on page 2

### COLOR AND WHITE RESPONSE

- Tests a target LED's color by providing a Logic "1" voltage output (5 volts) only if the LED is the color specified and it is "ON"
- Tests five main LED colors: blue, green, yellow/amber, orange, or red, plus white
- Sensor is insensitive to the "wrong" color
- Provides optimum ATE/ICT Pin Board/memory interface for fast digital burst mode LED test

Specific Color Sensor	Output Voltage (V <sub>out</sub> )					
	B	G	Y	O	R	W
Blue	5	0	0	0	0	0
Green	0	5	0	0	0	0
Yellow	0	0	5	0	0	0
Orange	0	0	0	5	0	0
Red	0	0	0	0	5	0
White	0	0	0	0	0	5

### INTENSITY RESPONSE

- Unicolor Digital Sensors do not provide an intensity output
- When detecting the correct color, Unicolor Digital Sensors respond to a wide dynamic range of LED intensity
- No adjustments for intensity are necessary



## UNIVERSAL LIGHTPROBE™ S2 UNICOLOR DIGITAL SENSOR

All Universal LightProbe S2 Sensors share the same form, and are pre-programmed to suit specific LED test requirements. The small size and non-conductive housing is specifically designed to accommodate today's high-density test fixtures.

### UNICOLOR DIGITAL SENSOR CHARACTERISTICS:

**Operating temperature range:** 0°C to 70°C

**Power consumption:** Operates between +5 and 28 volts, at 6mA max.; less than 4.75 volts is not recommended

**Voltage protection:** Withstands up to +40 volts, & reverse polarity to -18 volts

**Signal Output Loads:** 20 mA max. Non-inductive.

**Output Pins:** 3 gold-plated standard wire-wrap pins (0.025 in. sq.)

**Sensor Size:** 0.560 in. dia x 1.38 in. long

**Operating Temperature Range:** 0°C to 70°C

**Typical response times:** <10mS capture time; <65mS overall response time

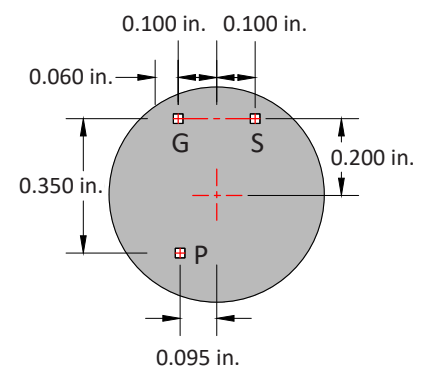
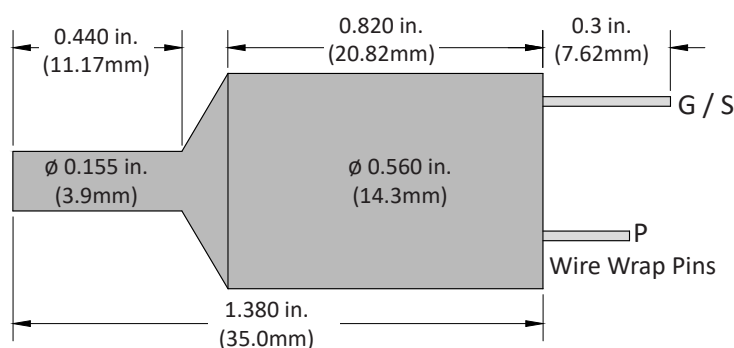
**Fiber-Optic Probes:** Can utilize any Universal LightProbe Fiber-Optic Probe

### UNICOLOR DIGITAL SENSORS: Three standard wire-wrap pins

**G - Ground:** common for digital output and power input

**S - Status of LED:** Correct color = Logic '1' (5v); incorrect color = Logic 0 (0v)

**P - DC Power Input:** Between +5 and 28 volts



PO Box 751 • South Freeport, ME 04078 USA | Phone (207) 865-9181 • Fax (207) 510-8039

[www.optomisticproducts.com](http://www.optomisticproducts.com)

[info@optomisticproducts.com](mailto:info@optomisticproducts.com)