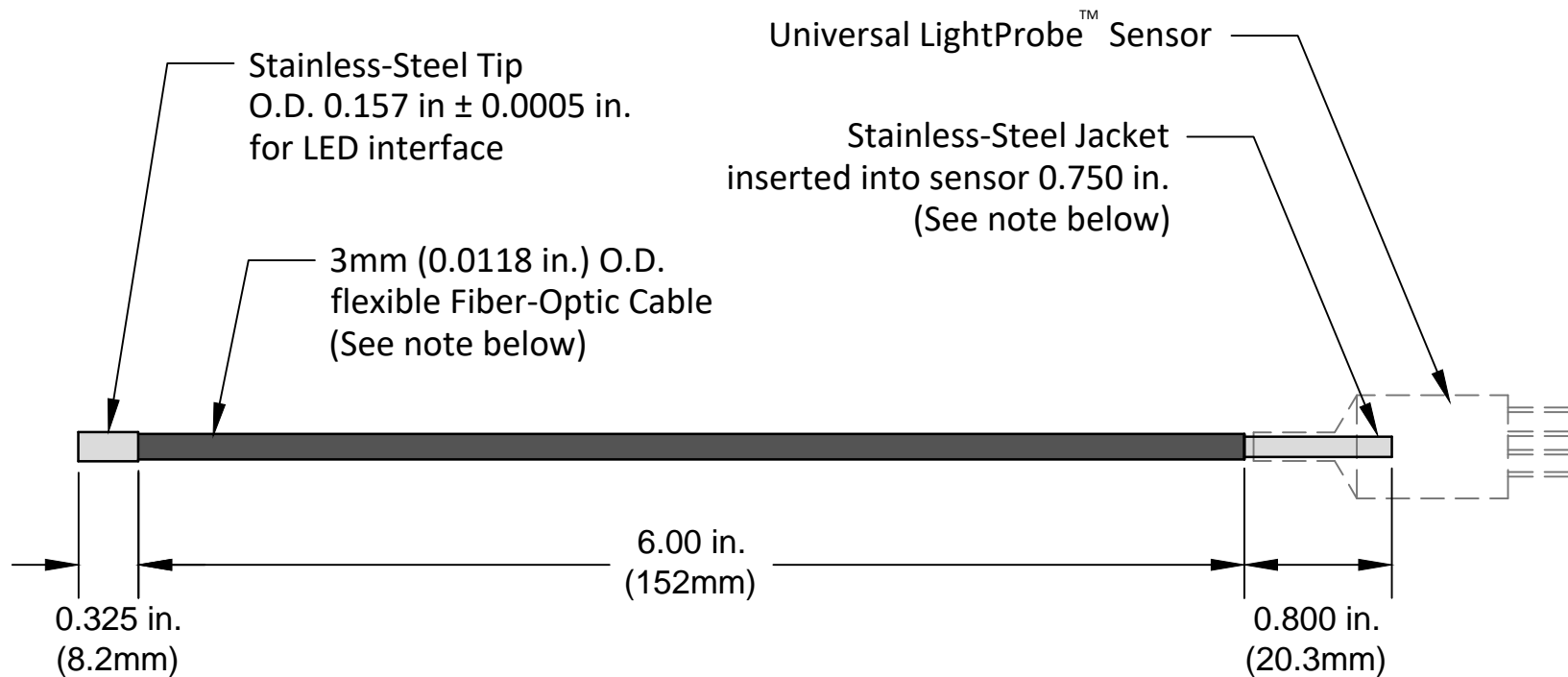




Universal LightProbe™ FIBER - OPTIC PROBE

Part number: 152-37-SL-VWA



NOTES:

1. Fiber-optic cable bend radius not to exceed 2".
2. Tolerances - Length: Stainless Steel: ±0.010 in. (0.25mm)

Scale 1:1.5

PROPRIETARY DATA

This drawing contains information and data which is proprietary to Optomistic Products and shall not be reproduced/copied without the prior written consent of Optomistic Products