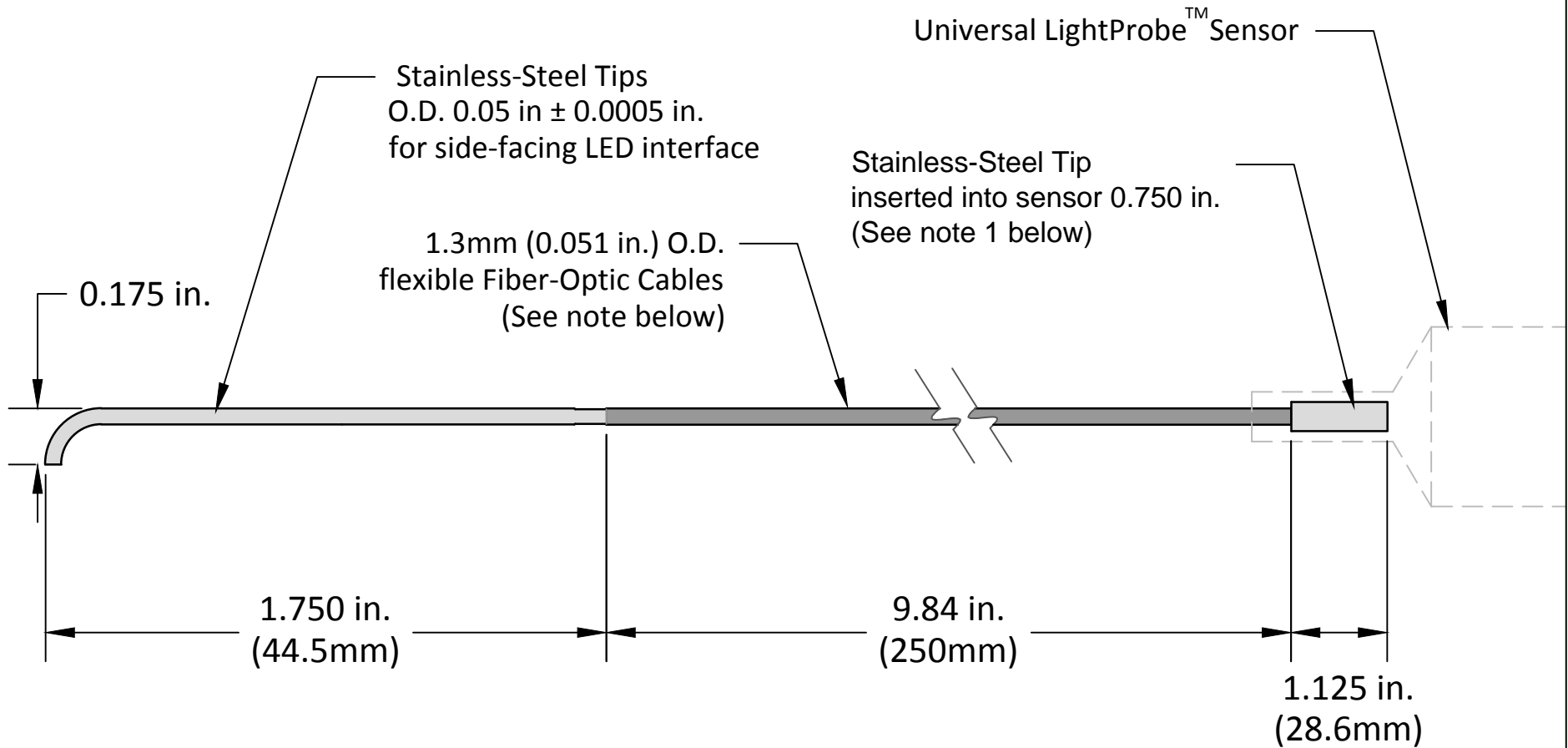




# Universal LightProbe™ FIBER - OPTIC PROBE

Part number: 250-12-RSSL-SA



## NOTES:

1. Fiber-optic cable bend radius not to exceed 1".
2. Tolerances - Length: Stainless Steel:  $\pm$ 0.010 in. (0.25mm)

Scale 2:1

PROPRIETARY DATA

This drawing contains information and data which is proprietary to Optomistic Products and shall not be reproduced/copied without the prior written consent of Optomistic Products