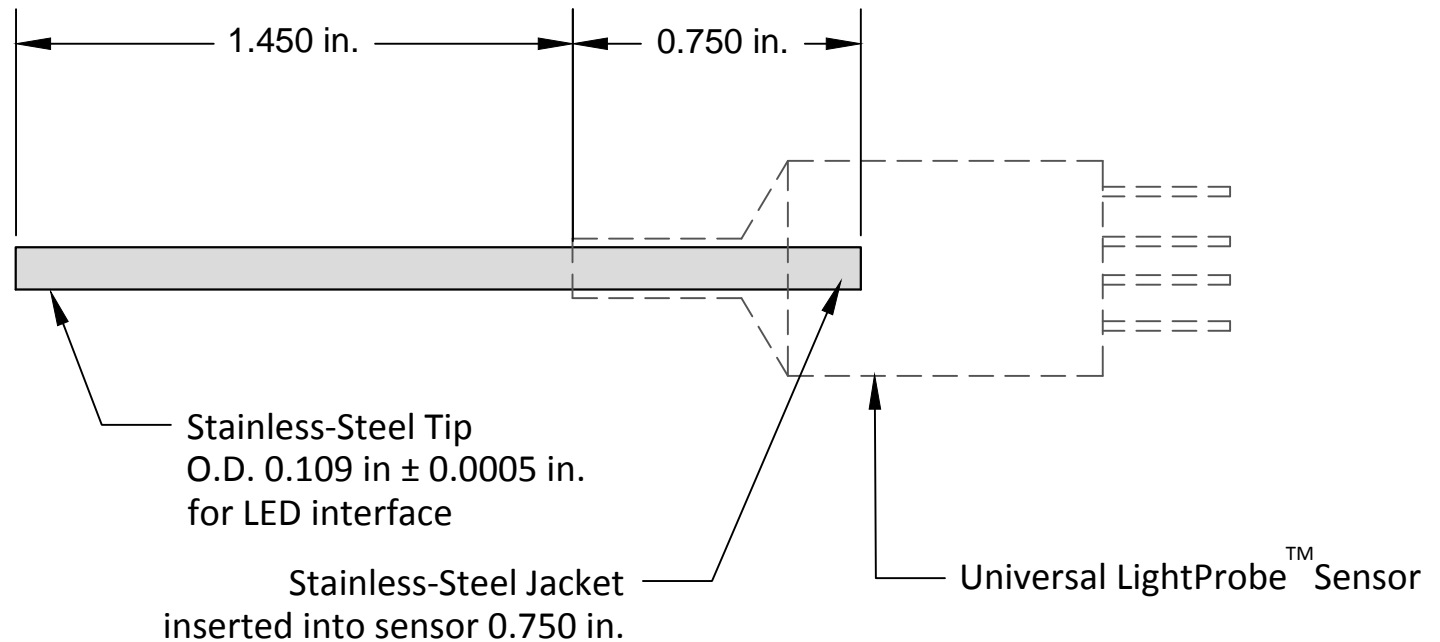




# Universal LightProbe™ FIBER - OPTIC PROBE

Part Number: XXX-27-LL-WA



Scale 2:1

PROPRIETARY DATA

This drawing contains information and data which is proprietary to Optomistic Products and shall not be reproduced/copied without the prior written consent of Optomistic Products

## NOTES:

1. Tolerances - Length: Stainless Steel:  $\pm 0.010$  in. (0.25mm)