

UNIVERSAL LIGHTPROBE™ FIBER-OPTIC PROBES

CONTACTING-TIP (WA-CT) FIBER-OPTIC PROBES - continued:

RIGID (XXX-34): For more refined intensity testing. Eliminates variations in intensity measurement due to inconsistent working distance between LED and fiber-optic probe tip. Stainless-steel encased probes eliminate the need for sensor mounting clamps. Comes in **Rigid** and **Rigid Right-Angle** models.



Characteristics:

- Stainless-steel encased probe
- Probe tip diameter: 0.134in./3.4mm stainless-steel tip
- Probe tip type: stainless steel with contacting insulated spring tip
- LED spacing: Straight - not less than 0.56 in./14.22mm, the width of the sensor; Right Angle - not less than, 0.134 in./3.4mm, by rotating the sensors outward

PART NUMBERS:

There are 4 styles of the **Rigid Wide-Aperture Contacting-Tip** model available to account for variations in working distance, LED orientation and accessibility, **Short (SL)** and **Long (LL)**, , as well as two **Right-Angle** options, **Short-Length (RSL)** and **Long-Length (RLL)**. Right-angle probes can be rotated for closer spacing of sensors. For further explanation of part numbers, please see page 20.

XXX-34-SL-WA-CT

2.12 in. /53.85mm long
Extends 1.37 in./34.8mm past sensor

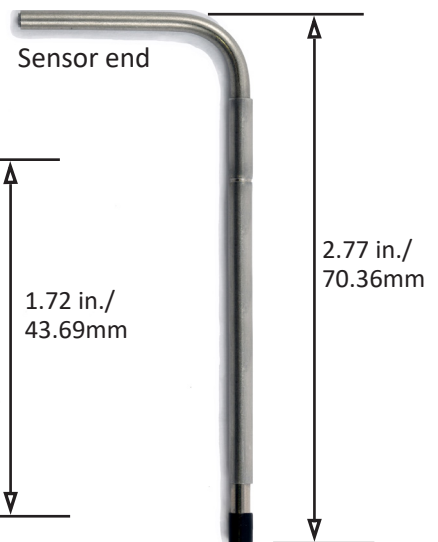


XXX-34-LL-WA-CT

3.17 in./80.52 long
Extends 2.42 in./61.47mm past sensor



XXX-34-RLL-WA-CT



XXX-34-RSL-WA-CT

